



## DATA SHEET

### Navigator

*Navigation LED Lights*

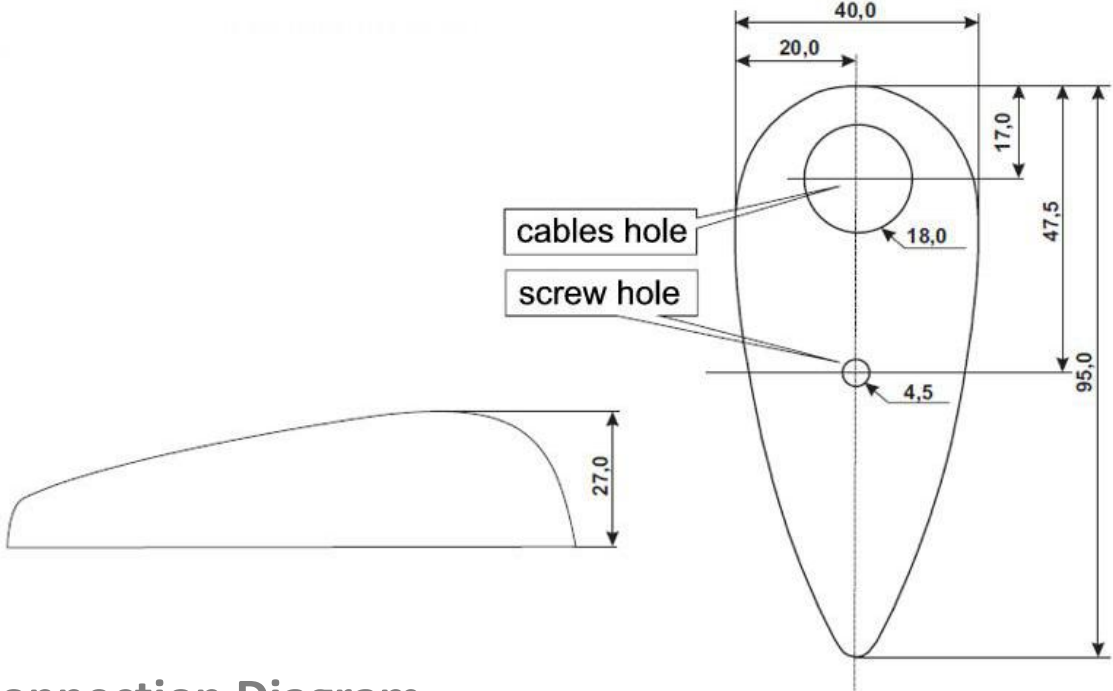
## General information

**Navigator** wingtip lights are **LED navigation lights** (red & green). Monolith encapsulation ensures that the lamp is **water and vibration resistant**. Lights are much **brighter** comparing to traditional bulb lights. Moreover the required input power for LED lights is lower and does not affect much the overall electric load of your aircraft. The lights are **the most cost effective** model of our product.

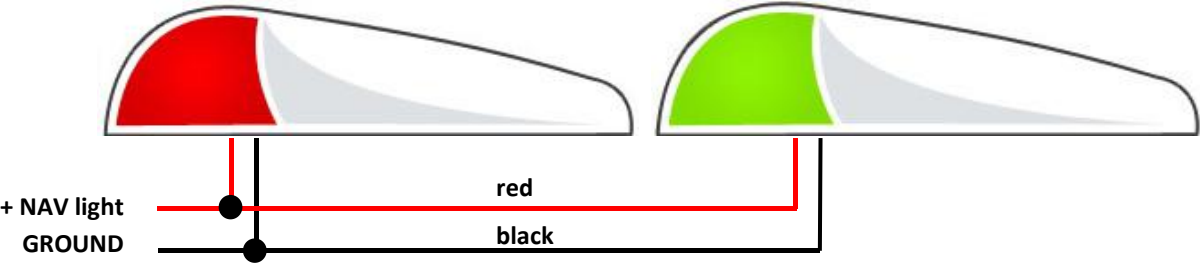
## Technical Data

<b>Navigation light</b>	YES (red/green)
<b>Strobe light</b>	NO
<b>Operation voltage range</b>	11,8 V - 30 V
<b>Dimensions</b>	95 mm x 40 mm x 27 mm
<b>Weight (2 lamps)</b>	150 g
<b>Operation temperature range</b>	- 35°C to + 60°C
<b>Current - navigation light (2 lamps)</b>	0,4 A
<b>Input power - navigation light (2 lamps)</b>	5,0 W
<b>Navigation light angle</b>	110°
<b>Navigation light luminosity (per lamp)</b>	450 lm
<b>Wiring requirement</b>	0,5 mm <sup>2</sup> cable
<b>Encapsulation</b>	Monolith of UV resistant epoxy resin
<b>Reverse polarity protection</b>	YES
<b>Vibration resistance</b>	YES
<b>Water resistance</b>	YES
<b>Warranty</b>	2 years

Drawing



Connection Diagram



Light Distribution

